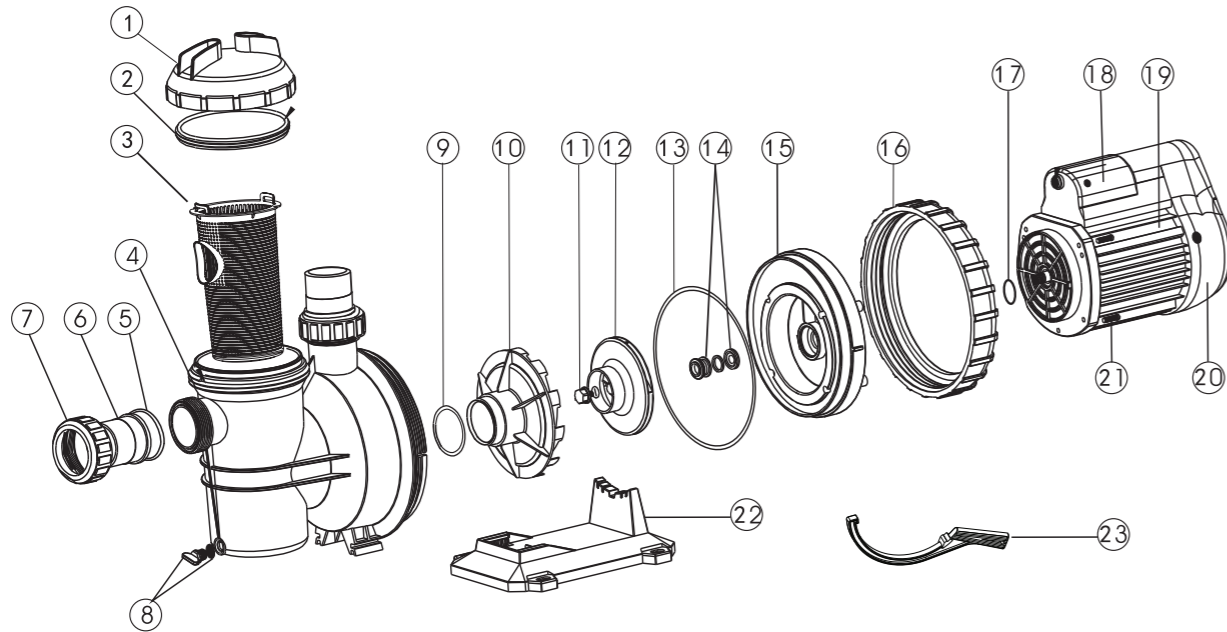


PUMP PARTS FOR ZTS



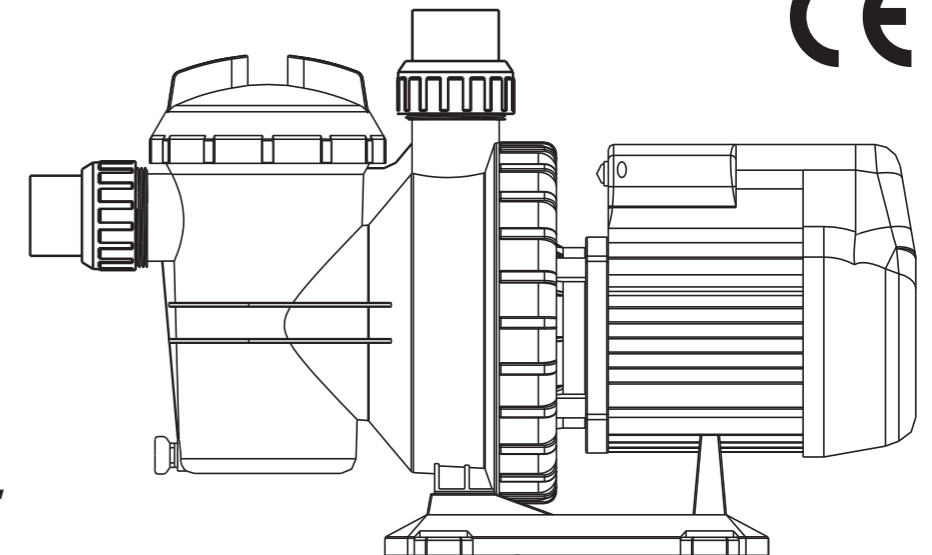
Key NO.	Description	Qty	Part No
1	Lid	1	W01041023
2	O'ring for Lid	1	W02011077
3	Basket	1	W01111076
4	Pre-filter Body	1	W01111006
5	O'ring for Union	2	W02011104
6	Union	2	W01171153
7	Nut	2	W01051014
8	Drain Plug	1	W01111017
	Plug O'ring	1	W02011023
9	O'ring for Diffuser	1	W02011105
10	Diffuser	1	W01111009
11	Impeller Nut with O'ring (set)	1	W08030015
	ZTS075 Impeller	1	W01311010
12	ZTS100 Impeller	1	W01311011
	ZTS150 Impeller	1	W01311012
13	O'ring for Flange	1	W02011089
14	Mechanical Seal	1	W04015001
15	Flange	1	W01111008
16	Ring Lock for ZTS Pump Body	1	W01021014
17	Shaft O'ring	1	W02011096
18	ZTS075-ZTS150 Circuit Box With Capacitor (set)	1	W08030016
	ZTS075 Motor	1	W04021006
19	ZTS100 Motor	1	W04021011
	ZTS150 Motor	1	W04021017
20	Fan Cover with Screw (set)	3	W08030019
21	Screw for Motor	4	W03011068
22	Base	1	W01111007
23	ZTS Pump Body Opening Key	1	W01021022

Titan Series Pump Installation & Operating Instructions



For full warranty terms and conditions, and to register your warranty, visit:

www.zodiac.com.au/warranty



INSTALLATION

Only qualified, licensed personnel should install pump and wiring.

IMPORTANT ELECTRICAL

Electrical Contractors Please Note: All 240 volt 50 Hz Titan pumps must be wired to the main power supply through an approved and correctly rated contactor.

Pump Mount Must:

- ❖ Be solid level, rigid, vibration free.
- ❖ Allow use of short, direct suction pipe. (To reduce friction losses & don't install the pump at more than 3M geometrical height from water level)
- ❖ Allow for gate valves in suction and discharge piping.
- ❖ Have adequate floor drainage to prevent flooding.
- ❖ Be protected from excess moisture.
- ❖ All adequate access for servicing pump and piping.

NOTICE:

Pump suction and discharge connections have moulded in thread stops, **DO NOT** try to screw pipe in beyond these stops.



OPERATION

- ▲ **NEVER** run pump dry! Running pump dry may damage seals, causing leakage and flooding! Fill pump with water before starting motor.
- ▲ Before removing lid:
STOP PUMP before proceeding.
CLOSE GATE VALVES in suction and discharge pipes.
RELEASE ALL PRESSURE from pump and piping system.
NEVER tighten or loosen screws while pump is operation.
- ▲ Do not block pump suction! To do so with body may cause severe or fatal injury. Children using pool must **ALWAYS** have close adult Supervision!

CAUTION

Hazardous suction. Can trap hair or body part, causing severe injury or death. Do not block suction.

Priming Pump:

- ❖ Release all air from filter and piping system: see filter owner manual.
- ❖ In a flooded suction system (water source higher than pump), pump will prime itself when suction and discharge valves are opened.
- ❖ If pump is not in a flooded suction system, unscrew and remove lid cover; fill housing and pump with water.
- ❖ Clean lid inspect housing; re-install on lid cover.
- ❖ Replace lid cover on housing; turn clockwise to tighten cover.

NOTICE: Tighten lid cover by hand only.
Pump should prime now. Priming time will depend on vertical length of suction lift and horizontal length of suction piping.

Routine Maintenance

- The only routine maintenance needed is inspection/cleaning of leaf basket. Debris or trash that collects in basket, will block off water flow through the pump. Follow instructions below to clean leaf basket:
1. Stop pump, close gate valve in suction and discharge, and release all pressure from system before proceeding.
 2. Unscrew the lid (turn counterclockwise).
 3. Remove strainer basket and clean. Be sure all holes in basket are clear, flush basket with water and replace in housing with large opening at pipe connection port (between ribs provided). If basket is replaced backwards cover will not fit on housing body.
 4. Clean and inspect lid Ring; reinstall on lid cover.
 5. Clean Ring groove on housing body and Replace lid. To help keep lid from sticking, tighten hand tight only.
 6. Prime pump (see priming instructions above)



SERVICE & REPAIR PARTS

Refer all service to your local agent or dealer as his knowledge of your equipment makes him the vest qualified source of information. Order all repair parts through your dealer. Give the following information when ordering repair parts:

1. Unit nameplate data or serial number on label.
2. Description of part.

TROUBLE SHOOTING

MOTOR DOES NOT START

1. Disconnect switch or circuit breaker in off position
2. Fuses blown or thermal overload open
3. Locked motor shaft
4. Motor windings burned out
5. Defective starting switch inside single phase motor
6. Disconnected or defective wiring
7. Low voltage

PUMP DOES NOT REACH FULL SPEED

1. Low voltage
2. Pump connected for wrong voltage

MOTOR OVERHEATS (protector trips)

1. Low voltage
2. Motor windings connected for wrong voltage on dual voltage model
3. Inadequate ventilation

PUMP DELIVERS NO WATER

1. Pump is not primed
2. Closed valve in suction or discharge line
3. Leakage or air into suction system
4. Impeller clogged

LEAKAGE OF WATER AT SHAFT

1. Shaft seal requires replacement

LOW PUMP CAPACITY

1. Valve in suction or discharge line partly closed
2. Suction or discharge line partly plugged
3. Suction or discharge line too small
4. Plugged basket in skimmer or hair and lint strainer
5. Dirty filter
6. Impeller clogged

HIGH PUMP PRESSURE

1. Discharge valve or inlet fittings closed too much
2. Return lines too small
3. Dirty filters

NOISY PUMP AND MOTOR

1. Plugged basket in skimmer or hair in lint strainer
2. Worn motor bearings
3. Valve in suction line partly closed
4. Suction line partly plugged
5. Vacuum hose plugged or too small
6. Pump not supported properly

AIR BUBBLES AT INLET FITTINGS

1. Leakage of air into suction line at connections or valve stem
2. Cover gasket of hair and lint strainer needs cleaning
3. Low water level in pool

NOTE: For any further enquiries please contact your local authorised Zodiac dealer or call Zodiac customer service on 1800 688 552.